



A1000 IP54
A1000 IP54
A1000 IP54
A1000 IP54
A1000 IP54

A1000
IP54 Ready
18.5 kW to 90 kW

IP54 Wall Mount
18.5 kW to 90 kW

A1000 IP54 Solutions High Performance in Harshest Environment

A1000 IP54 solutions make the power and performance of A1000 drives easily available for machines in wet, dirty or dusty ambient conditions. Decentralized installation, highly efficient operation of any motor, and integrated PLC functionality reduce system cost while the built in Safe Torque Off (STO) function increases machine safety.

IP54 Ready

A1000 IP54 Ready is flange mounted with it's heat sink out the back bringing heat loss out of the panel. It is the optimal solution for small sized custom panels with high degree of ingress protection.

- ▶ A1000 with IP54 sealed mounting flange
- ▶ Easy out of the box installation of single or multiple drives in an IP54 panel
- ▶ Heatsink out of the back mounting brings main heat loss out of the panel and allows smaller panel dimensions
- ▶ Perfect for small panels without active cooling or ventilation

IP54 Panel

A1000 IP54 Wall Mount drives are made for decentralized installation. Equipped with a built in EMC filter, clear text LCD display in 8 languages and an optional mains switch this drive can be installed and set up in shortest time.

- ▶ A1000 in IP54 compact panel
- ▶ EMC filter built in, EN61800-3 Class C1, IT grid filter optional
- ▶ Lockable mains switch optional
- ▶ No extra panel, simple installation to machines or rooms
- ▶ Space for additional components allows customization

Applications



HVAC



Pump



Compressor



Fan

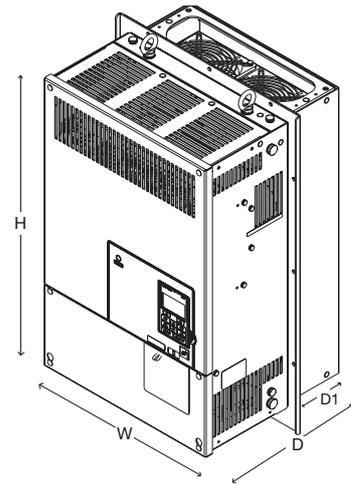




Standard Specifications

A1000 IP54 Ready

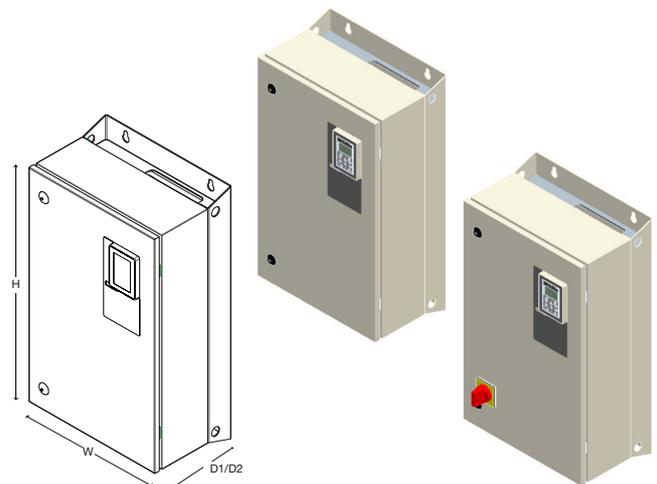
CIMR-AC	Current (AMP)		Power (kW)		Dimensions in mm				Weight
	HD	ND	HD	ND	W	H	D	D1	kg
4A0044WAA	39	44	18.5	22	275	402	197	75.6	11
4A0058WAA	45	58	22	30	300	455	275	102	21
4A0072WAA	60	72	30	37	325	505	275	102	25
4A0088WAA	75	88	37	45	370	565	283	105	36
4A0103WAA	91	103	45	55	370	565	283	105	36
4A0139WAA	112	139	55	75	370	565	285	110	41
4A0165WAA	150	165	75	90	370	565	285	110	42



- ▶ **8 Multi functional digital inputs**
 Sinking/Sourcing mode selectable
 External power supply usable (24 VDC)
- ▶ **Multi functional pulse train input (up to 32 kHz)**
 Easy synchronizing with other drives
- ▶ **3 Multi functional analog inputs**
 (Voltage / Current / PTC selectable)
- ▶ **Fault output**
 CO relay output (N. O. and N. C.)
 250 VAC 10 mA ... 1A
- ▶ **Functional safety**
 2 Channel Safe Torque Off (EN ISO 13849-1, PLd)
- ▶ **3 Multi functional photo coupler outputs**
 Relay (N. O. or N. C programmable)
- ▶ **Multi functional pulse train output up to 32 kHz**
 Easy synchronizing with other drives
- ▶ **2 Multi functional analog output**
 (Voltage / Current selectable)
- ▶ **External Device Monitor (EDM)**
 Status for Safe Torque Off function

A1000 IP54 Wall Mount

CIMR-AC	Current (AMP)		Power (kW)		Dimensions in mm				Weight
	HD	ND	HD	ND	W	H	D1	D2*	kg
4A0044TAA / ..0095*	39	44	18.5	22	400	700	260	292	35
4A0058TAA / ..0095*	45	58	22	30	465	750	300	331	50
4A0072TAA / ..0095*	60	72	30	37					55
4A0088TAA / ..0095*	75	88	37	45	555	950	325	375	74
4A0103TAA / ..0095*	91	103	45	55					85
4A0139TAA / ..0095*	112	139	55	75					
4A0165TAA / ..0095*	150	165	75	90					



* Version with mains switch